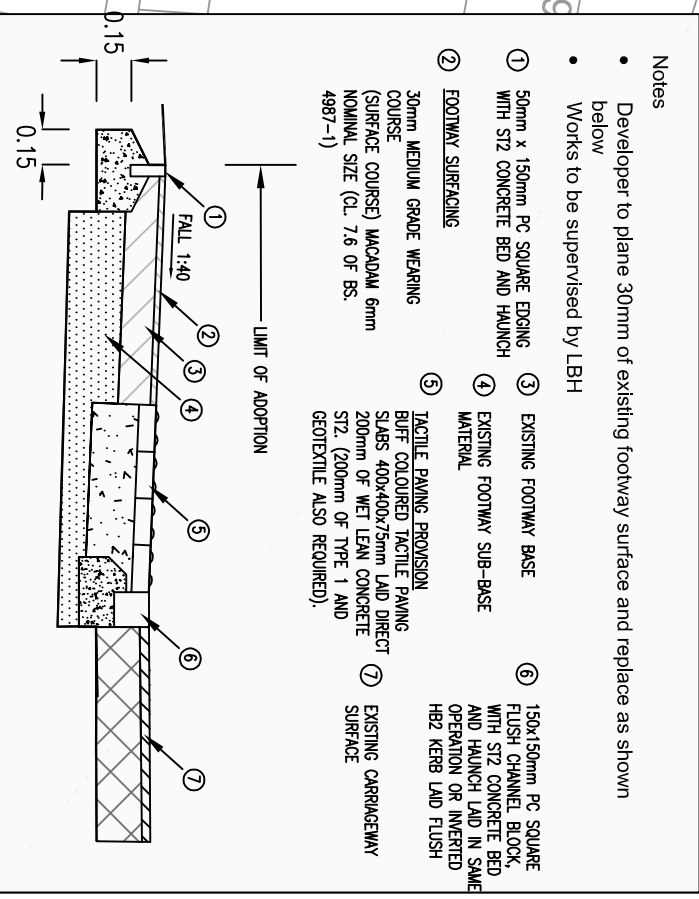


<p>Haverling LONDON BOROUGH STREETCARE CULTURE & COMMUNITY TRAFFIC & ENGINEERING 10th FLOOR MERCURY HOUSE MERCURY GARDENS, ROCHFORD, RM1 3DW TELEPHONE No: 01708 434343 FAX No: 01708 433721 E-MAIL: streetcare@haverling.gov.uk</p>	JOB TITLE	165 - 171 Hornchurch Road
	DRAWING TITLE	278 Plan Extent of Highway Works

DRAWN BY	DJ	CHECKED BY	DB	APPROVED BY	DB
SCALE (AT A4 SIZE)	NTS	DATE	19/08/11	DRAFT	<input type="checkbox"/>
ACAD REF:	Sheet Size: A4 (297x210)	DRAWING No	HRBR/01/02	ISSUE	<input type="checkbox"/>
		REVISION	A		

PURPOSE	Information	REVISION	A	AMENDMENT		DATE	5/09/11
<small>Activation made to the extent of highway works</small>							
<small>©COPYRIGHT This drawing belongs to Streetcare Culture & Community, Traffic & Engineering Section. Neither the whole nor any part thereof may be reproduced without prior written permission. Based upon Ordnance Survey Mapping with the permission of the Controller of Her Majesty's Stationery Office. Crown copyright and may lead to unauthorised reproduction infringing Crown copyright and may lead to prosecution or civil proceedings. London Borough of Haverling 100024327</small>							



- Notes**
- Developer to plane 30mm of existing footway surface and replace as shown below
 - Works to be supervised by LBH
- | | | |
|--|--|--|
| ① 50mm x 150mm PC SQUARE EDGING WITH ST2 CONCRETE BED AND HAUNCH | ③ EXISTING FOOTWAY BASE | ⑥ 150x150mm PC SQUARE FLUSH CHANNEL BLOCK, WITH ST2 CONCRETE BED AND HAUNCH LAID IN SAME OPERATION OR INVERTED HB2 KERB LAID FLUSH |
| ② FOOTWAY SURFACING | ④ EXISTING FOOTWAY SUB-BASE MATERIAL | ⑦ EXISTING CARRAGEWAY SURFACE |
| ⑤ 30mm MEDIUM GRADE WEARING COURSE (SURFACE COURSE) MACADAM 6mm NOMINAL SIZE (CL. 7.6 OF BS. 4987-1) | ⑤ TACTILE PAVING PROVISION BUFF COLOURED TACTILE PAVING SLABS 400x400x75mm LAID DIRECT 200mm OF WET LEAN CONCRETE ST2. (200mm OF TYPE 1 AND GEOTEXTILE ALSO REQUIRED). | |